



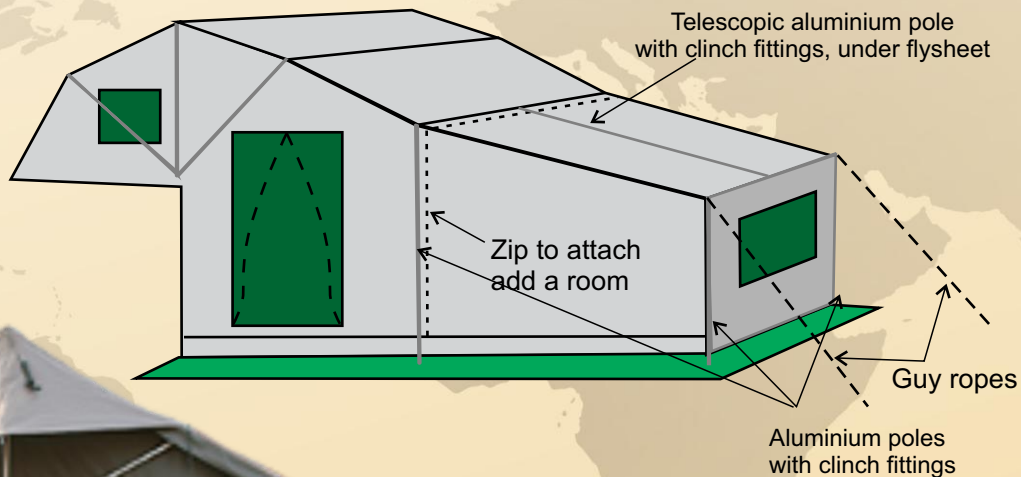
FAMILY TRAILER TENT

No Boundaries

Instructions:

1. Ensure you are parked on level ground, your trailer brake is engaged and your stabiliser bars are down before you erect your tent.
2. Remove the bag by loosening the straps, release the tension on the elastic chord and lift all the corners up of the board being careful not to hook the bag on the frame.
3. Pull down the side tent canvas so that it hangs of the board and open the door flap to allow air to enter when erecting the tent.
4. With a person on either side of the tent ie. nosecone and tailgate, slowly lift the tent poles up allowing air to enter.
5. Once the tent frame is up insert the 2 aluminium poles at the front side of the tent. Attach the clinch fittings to the ends of the horizontal pole next to the eye fitting. Now lay out the side tent and peg it down at all 4 corners.
6. Insert the springsteel rods into the holes in the hinges and attach to the flysheet. Use the 2 steel poles to support the flysheet.
7. Additional guy ropes are installed on the side of the flysheet at the centre tent frame pole To provide extra stability in windy conditions.
8. Additional straight pegs have been provided for the anchor points on the side tent groundsheet.
9. Inside the tent the ladder is to be fastened with the 2 velcro strips on the board edge. Failure to secure ladder properly could result in serious injury.
10. We suggest an extra groundsheet be placed under the side tent to prevent damage by stones and thorns etc...
Children are to be supervised at all times when in the tent, close shade net zips on top of bed to prevent children falling out.
11. **See overleaf for instructions for mounting tent to trailer**

Go to www.tentco.co.za to view instructional videos on how to erect your tent

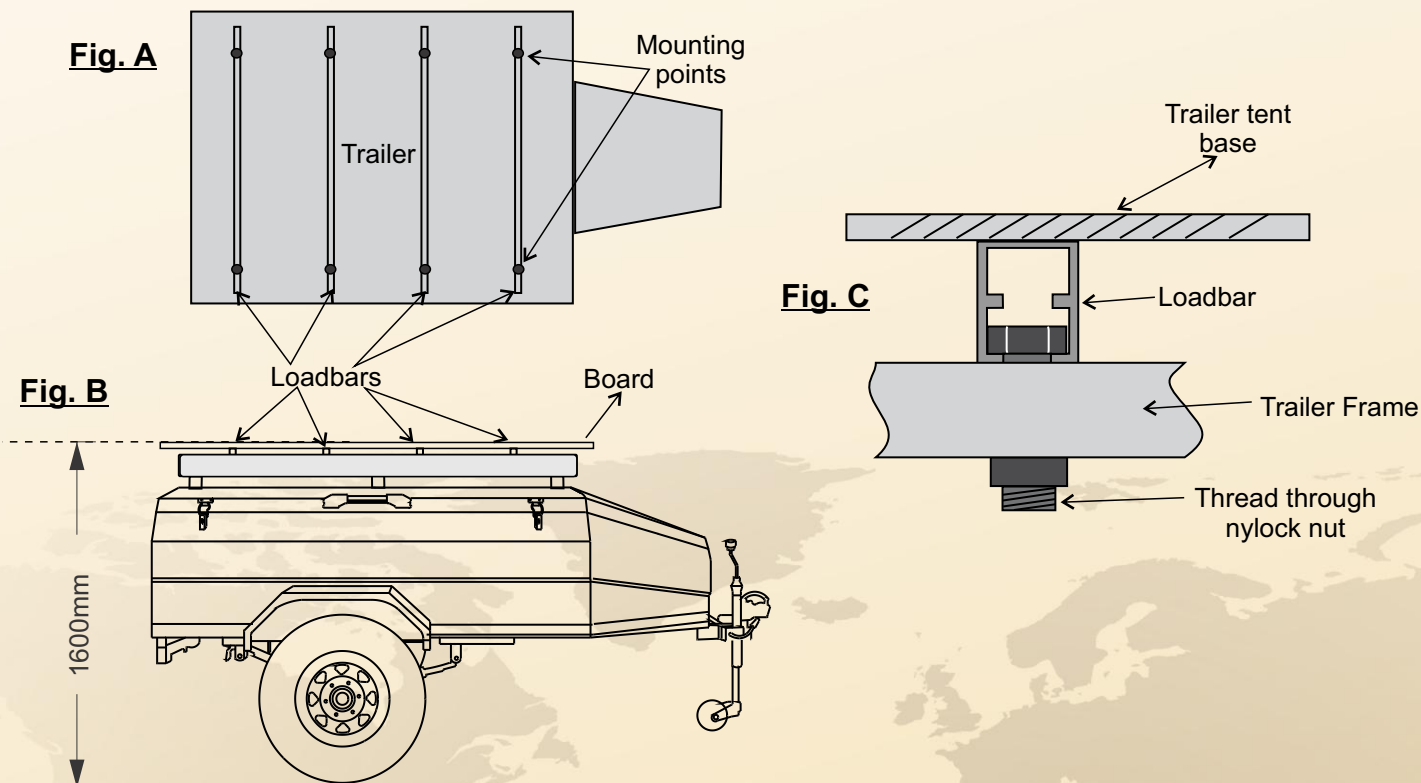


FITMENT:

We recommend that this tent be fitted by competent persons.

Ideal height of board is 1,6m above ground level. Any variation of this height will significantly affect the pitch of the roof and flysheet which can cause problems of water damming and leaking.

1. The board base should be installed onto your trailer with at least 2 x M8 bolts per loadbar. (Fig A)
2. M8 Nylock nuts should be used ensuring that the bolt thread protrudes beyond the nylock nut by at least 5mm.(Fig C)
3. You shall require a gap between the trailer rack and your board (Fig B) to enable the bag to travel under it. The further the cover can go under the board the better the protection you will have from water and dust penetrating the tent whilst travelling.



GENERAL

Check the tightness of all nuts and bolts before every trip and during any extended trip at regular intervals. Never attempt to move the trailer whilst the tent is erected this will result in serious damage to the frame. When folding the tent ensure you fold it as flat as possible, this will allow easier fitment of the bag as well as reducing drag on the vehicle. Never drive off without first securing all 3 safety straps on the bag. **In strong winds or for high speeds it is recommended to fit storm straps over the tent (not included) to stabilize the tent.**

PLEASE NOTE

THE TENT IS NOT GUARANTEED AGAINST WIND DAMAGE

Refer to troubleshooting guide for more handy tips

PACKING UP

1. Fold bedding flat , loosen ladder, remove flysheet poles and place in bag. Lay on top of mattress
2. Close zips on front window flap. Remove pegs and store in bag on top of mattress.
3. Zip door gauze closed leaving flap open
4. Leaving the side door flaps open to allow air to escape with 1 person at tailgate and 1 at nosecone pull down the frame poles until both are laying flat on the bed. Tuck in all the excess canvas and lift the side tent onto the bed . Ensure canvas lies as flat as possible.
5. Pull the cover over the tent ensuring the elastic chord hooks under the board at all 4 corners.
6. Strap the bag securely with all the straps



ADD-A-ROOM

No Boundaries

1. The add-a-room is already attached to the main tent with the zip at the end of the tent.
2. The telescopic pole goes between the 2 horizontal poles¹ on the main tent and 1 on the add-a-room.
3. Once the tent frame is up clip the 2 x 1,2m aluminium poles to the horizontal pole at the front of the add-a-room.
4. Tension the 2 guy ropes on the horizontal pole and the flysheet guyropes.

